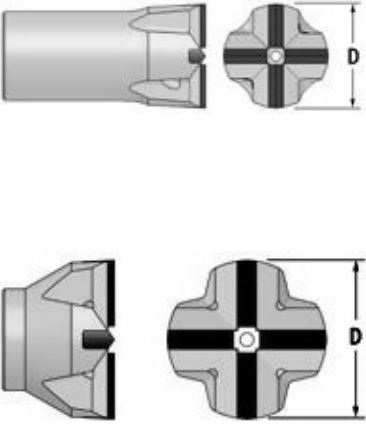
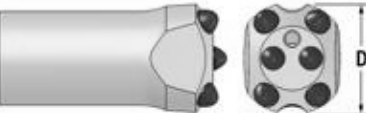
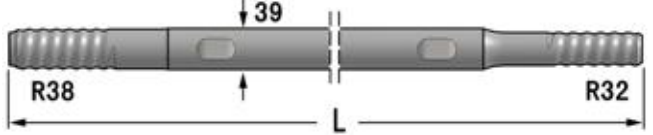
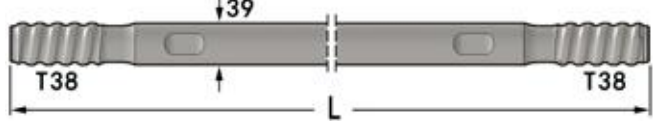


高炉用钎具 Rock Tools For Furnace

产品名称 Name of product	钎头直径 Diameter		合金 Tip size(mm) 高×厚 H×W	螺纹 Thread	重量 Weight approx kg	型号 P/N
	毫米 mm	英寸 inch				
十字型钎头 Cross-type bit 	45	1 3/4	7×8	R32	0.5	1222-45R32-7/8-42-24
	50	1 31/32	7×8	R32	0.6	1222-50R32-7/8-42-24
	55	2 1/8	7×8	R32	0.6	1222-55R32-7/8-42-24
	55	2 1/8	7×8	R38	0.7	1222-55R38-7/8-42-24
	55	2 1/8	7×8	T38	1.0	1222-55T38-7/8-42-24
	60	2 3/8	7×8	R32	0.7	1222-60R32-7/8-42-24
	60	2 3/8	7×8	R38	1.2	1222-60R38-7/8-42-24
	60	2 3/8	7×8	T38	1.3	1222-60T38-7/8-42-24
	65	2 1/2	7×8	R32	0.9	1222-65R32-7/8-42-24
	65	2 1/2	7×8	R38	1.3	1222-65R38-7/8-42-24
	65	2 1/2	7×8	T38	1.4	1222-65T38-7/8-42-24
	70	2 3/4	7×8	R32	1.3	1222-70R32-7/8-42-24
	70	2 3/4	7×8	T38	1.5	1222-70T38-7/8-42-24
	80	3 1/8	7×8	R32	1.7	1222-80R32-7/8-42-24
	100	3 3/4	7×8	R32	1.8	1222-100R32-7/8-42-24
柱齿形钎头 Button bit 	48	1 7/8	6×10	R32	0.6	1431-48R32-6/10-42-53
	51	2	6×10	R32	0.7	1431-51R32-6/10-42-53
	54	2 1/8	6×11	R32	0.7	1431-54R32-6/11-42-53
	57	2 1/4	6×11	R32	0.8	1431-57R32-6/11-42-53

产品名称 Name of product	长度 Length		重量 Weight (kg)	型号 P/N
	毫米 mm	英尺 Foot		
R38-Round39-R32 	2800	9'2"	22.7	25R39-R32/R38-2800-45#
	3400	11'2"	27.8	25R39-R32/R38-3400-45#
	3600	11'9"	29.4	25R39-R32/R38-3600-45#
	4100	13'5"	34.5	25R39-R32/R38-4100-45#
	4300	14'1"	35.3	25R39-R32/R38-4300-45#
T38-Round39-T38 	3000	9'8"	24.9	25R39-T38-3000-45#
	3200	10'5"	26.5	25R39-T38-3200-45#
	4000	13'1"	33.4	25R39-T38-4000-45#

SHANDONG TAISHAN ROCK TOOLS CO., LTD

Mr:Rock Sui

Tel: 0086-635-6515509

Fax:0086-635-6515678

Mobile: +86 135 6302 6509

+86 138 6352 6509

Email:chinarocktool@163.com

rockdrillingtools@163.com

export@china-rocktool.com

export@rockdrillingtools.com

WeChat: +86 13563026509

WhatsApp: +86 135 6302 6509

SKYPE: sui671100

Website: www.rockdrillingtools.com

www.china-rocktool.com

**ADD: Xihu Town 10 #, Yanggu ,Liaocheng city , Shandong
province , China**